

WARRANTY INFORMATION

Rigid Industries warrants that this product will be free from defects in material and workmanship. If you believe your Rigid Industries product is defective, it must be returned to Rigid Industries for inspection by our warranty claims department. If, after inspection, Rigid Industries verifies that the defect was not caused by negligence, abuse, unauthorized repair or disassembly, Rigid Industries will determine whether the product will be repaired or replaced in accordance with Rigid Industries Limited Lifetime Warranty*.

Warranty Periods:

- All LED Light bars – Limited Lifetime
- Batteries – 90 days
- Accessories and Mounts – 2 years
- Flashlights – 1 year

Warranty Coverage:

To begin your warranty claim, you must have a Return Merchandise Authorization (RMA) number. To get your RMA number, please contact our warranty department by phone at 480-655-0100 ext. 1008, or by filling out the Return Merchandise Authorization Form on our website.

All of the following will immediately void all warranties:

- Customer negligence – The customer has modified the light and/or is not using it for the recommend application.
- Customer abuse – Damage to the light beyond normal wear and tear.
- Repair work done by unauthorized personnel without Rigid Industries' approval.
- If the light has been opened or any screws have been removed.

All warranties are non-transferable. Warranty terms and policies are subject to change without notice.

*For all information regarding the Rigid Industries' Limited Lifetime Warranty please call 855-760-5337 ext. 1008, email warranty@RigidIndustries.com, or visit our warranty page online at RigidIndustries.com/about/warranty.



BACK UP LIGHT KIT MARINE SR-Q® FLUSH MOUNT (FM)

INSTALLATION INSTRUCTIONS



KIT INCLUDES

- Plug and Play Harness with Switch
- Mounting Hardware

Your installation is now complete.

Welcome to the Rigid Nation!

FOLLOW US ON FACEBOOK AT
[facebook.com/RigidIndustries](https://www.facebook.com/RigidIndustries)

779 N Colorado St, Gilbert, AZ 85233 • 855-760-5337 ext 1008 • www.rigidindustries.com

IS-M-SRQ-FM REV 3

SR-Q and Rigid Industries are unregistered and/or common law marks owned by JST Performance, Inc. d/b/a Rigid Industries.

INSTALLATION INSTRUCTIONS

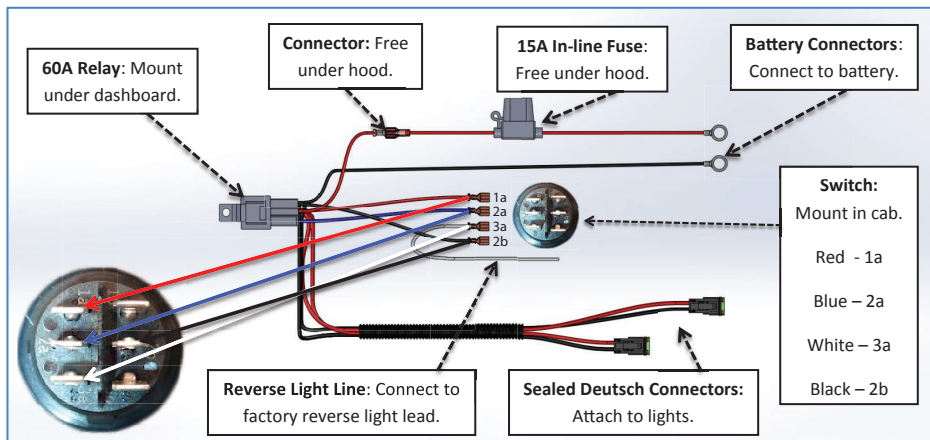
1. Choose a location for your Rigid Industries back-up lights. Make sure you have clearance for the lights to adjust/rotate without interference and a path for wiring. Mark & drill holes. Secure lights on provided brackets with provided hardware.

2. Route wire harness completely before connecting anything. Once you have run the harness in place and planned your hard attachment locations and zip tie locations, proceed with install. Use the diagram below and the following notes...

- a. Drill a $\frac{3}{4}$ " diameter hole and feed switch through from the back side.
- b. If you would like your switch to be illuminated when your kit is in use, connect the black wire to pin 2b on the switch. If you do not wish for your switch to illuminate, simply omit this step.
- c. The connector between the relay and in-line fuse is there to prevent you from having to get the switch/relay or fuse holder through the fire wall. Drill a small hole or use an existing ingress. Push black battery line through from vehicle cab. Push the red battery line through from the engine compartment then connect with the in-line connector.
- d. Red battery connector should be attached to the positive battery terminal. Black battery connector may be connected to negative battery terminal or any suitable ground.
- e. Reverse light lead must be connected to the factory reverse light line. The lead is long enough to connect at the factory reverse lights – or you can tie in under the dash if you prefer.
- f. Path for wiring between the relay and the lights is up to you. Take care to avoid heat sources, sharp edges or abrasive surfaces. Secure wiring in place with plenty of zip ties.
- g. Deutsch connectors should connect to your two Rigid Industries lights.

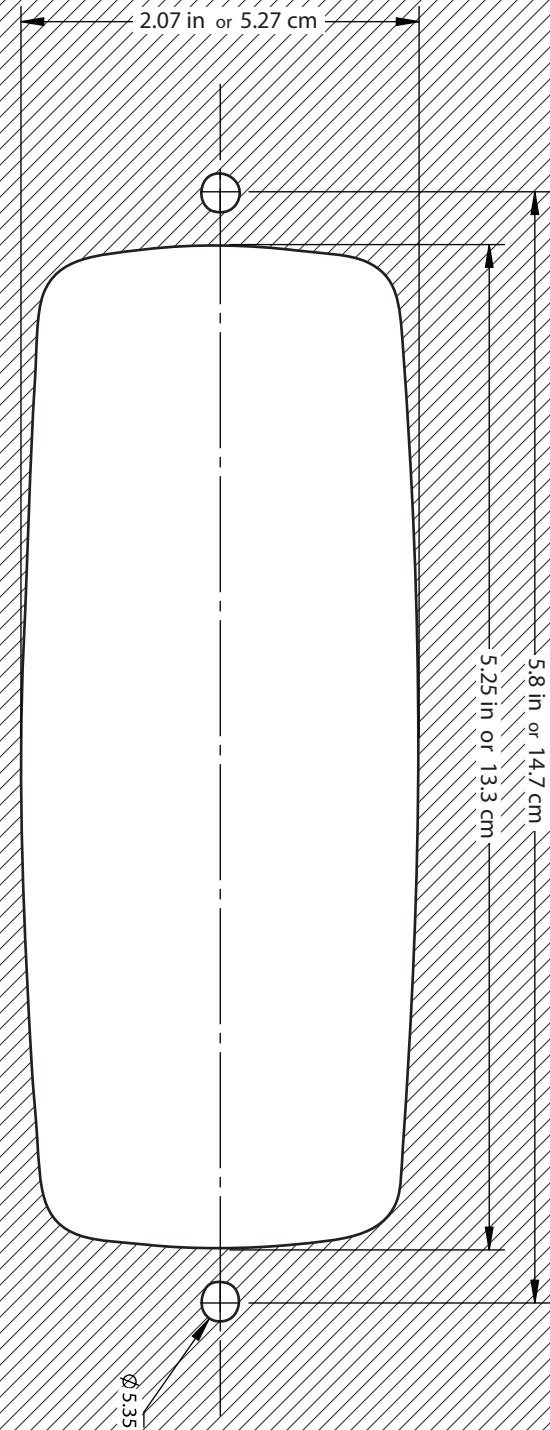
3. Once the wire harness has been fully installed, you are ready to test out your lights. Middle position on your switch is "off". Down position is "on when in reverse" and Up position is "always on".

Always disconnect any power sources connected to your vehicle before servicing fuses or electrical system.



MOUNTING TEMPLATE

Measurements are in Inches & Centimeters
 * If printing from a printer, choose ACTUAL SIZE print option *



Rigid Industries highly recommends using a certified professional to install and wire your light.
 Only install light onto flat surface