



## **POLE MOUNT INSTRUCTIONS**

### **KIT INCLUDES**

- |                          |                            |
|--------------------------|----------------------------|
| (1) Pole Mount Assembly  | (4) Screws                 |
| (1) Wire Management Door | (1) Wire Gland (cord grip) |
| (1) Stick-On Gasket      | (2) Wire Pigtails          |

## **INSTALLATION INSTRUCTIONS**



Thank you for purchasing Rigid Industries' products. Installation is fairly simple with the right tools and good mechanical abilities. If you are not confident in your mechanical skills, please seek the help of a professional to perform the installation. Please read through all of these instructions and tips before proceeding with installation.

## **INSTALLATION INSTRUCTIONS CONT.**

4. Insert your two light wire leads through the two holes in the wire gland. Wires should enter from the outside of the assembly. Make sure you have 2"-3" of each wire sticking out on the inside of the gland/plate assembly. Tighten the "nut" on the outside of the wire gland, "gripping" the wires and creating a seal. Note: You may want to trim the light lead wires down at this point so you minimize the amount of slack.

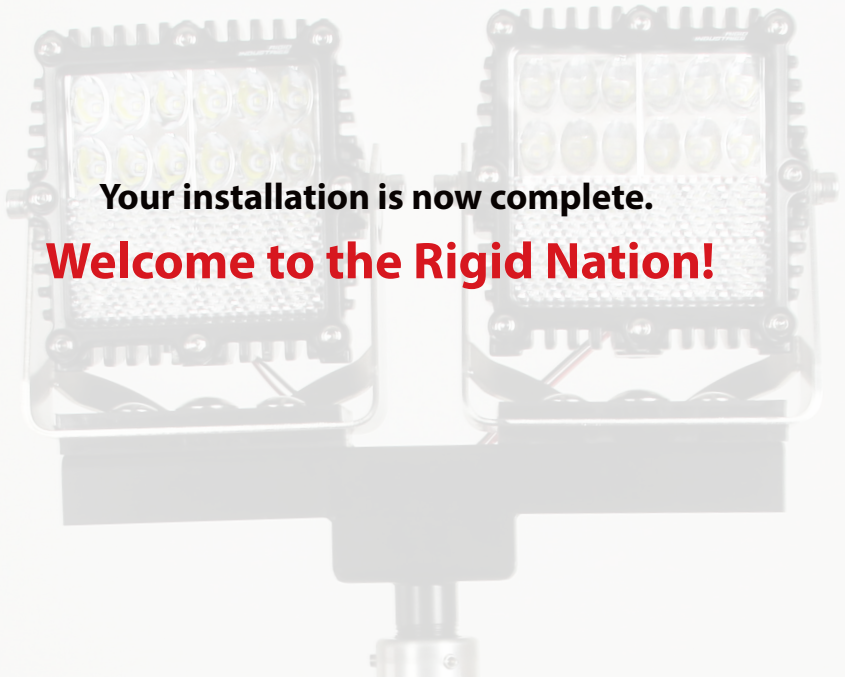
5. Connect your light lead wires to the harness wires coming out of your pole using wire nuts or the connectors of your choice.

6. Push your wire connections into the wire management box and position the door/gland assembly in place. Secure with the four provided 6/32 x 3/8" screws.

7. Mount your lights on the Pole Mount Assembly using the brackets and hardware provided with the lights. Connect to plugs on the end of your two wire leads.

**Your installation is now complete.**

**Welcome to the Rigid Nation!**



## WARRANTY INFORMATION

Rigid Industries warrants that this product will be free from defects in material and workmanship. If you believe your Rigid Industries product is defective, it must be returned to Rigid Industries for inspection by our warranty claims department. If, after inspection, Rigid Industries verifies that the defect was not caused by negligence, abuse, unauthorized repair or disassembly, Rigid Industries will determine whether the product will be repaired or replaced in accordance with Rigid Industries Limited Lifetime Warranty\*.

### **Warranty Periods:**

- All LED Lights – Limited Lifetime
- Flashlights – 1 year
- Accessories and Mounts – 2 years
- Batteries – 90 days

### **Warranty Coverage:**

**To begin your warranty claim, you must have a Return Merchandise Authorization (RMA) number. To get your RMA number, please contact our warranty department by phone at 480-655-0100 ext. 1008, or by filling out the Return Merchandise Authorization Form on our website.**

### **All of the following will immediately void all warranties:**

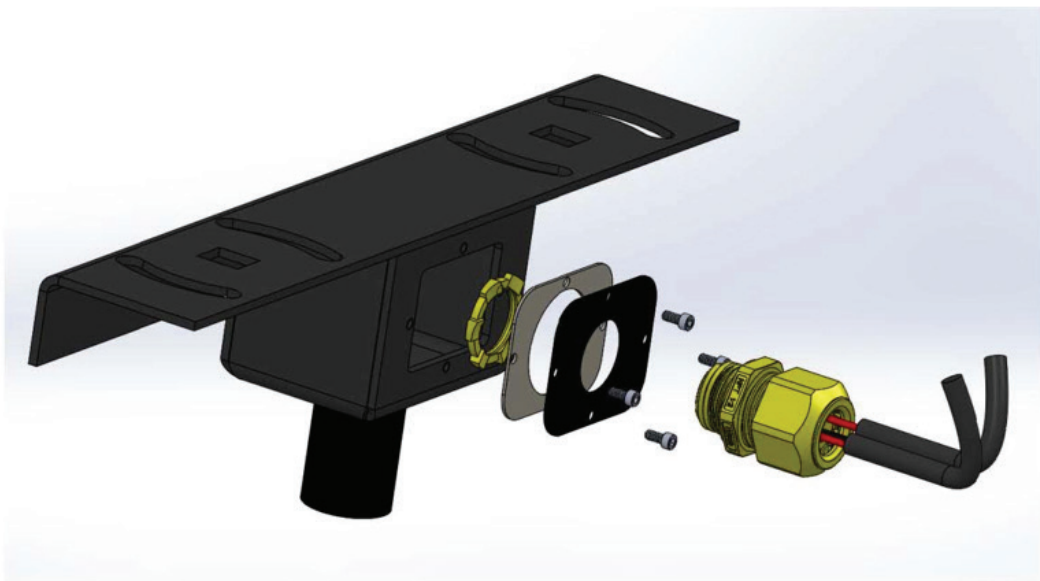
- Customer negligence – The customer has modified the light and/or is not using it for the recommend application.
- Customer abuse – Damage to the light beyond normal wear and tear.
- Repair work done by unauthorized personnel without Rigid Industries' approval.
- If the light has been opened or any screws have been removed.

All warranties are non-transferable. Warranty terms and policies are subject to change without notice.

\*For all information regarding the Rigid Industries' Limited Lifetime Warranty please call 855-760-5337 ext. 1008, email [warranty@RigidIndustries.com](mailto:warranty@RigidIndustries.com), or visit our warranty page online at [RigidIndustries.com/Warranty](http://RigidIndustries.com/Warranty).

**FOLLOW US ON FACEBOOK AT [FACEBOOK.COM/RIGIDINDUSTRIES](https://www.facebook.com/RIGIDINDUSTRIES)**

779 N Colorado St, Gilbert, AZ 85233 • 855-760-5337 • [www.rigidindustries.com](http://www.rigidindustries.com)



## INSTALLATION INSTRUCTIONS

1. Run light wire harness up through  $\frac{3}{4}$ " diameter pole. Feed wire leads out end of pole and through threaded fitting on bottom of Pole Mount Assembly. Attach Pole Mount Assembly to pole by twisting assembly clockwise until tight. Pull wire leads out opening on back of the wire management box on the Pole Mount Assembly so that 6" of wire is accessible.
2. Apply foam rubber gasket to wire management box door. One side of gasket has adhesive applied. Simply peel off the tape and stick the gasket in place.
3. Insert threaded end of wire gland into center hole in the wire management box door. Make sure the door is oriented properly. Secure the wire gland by threading the retainer ring and tightening.